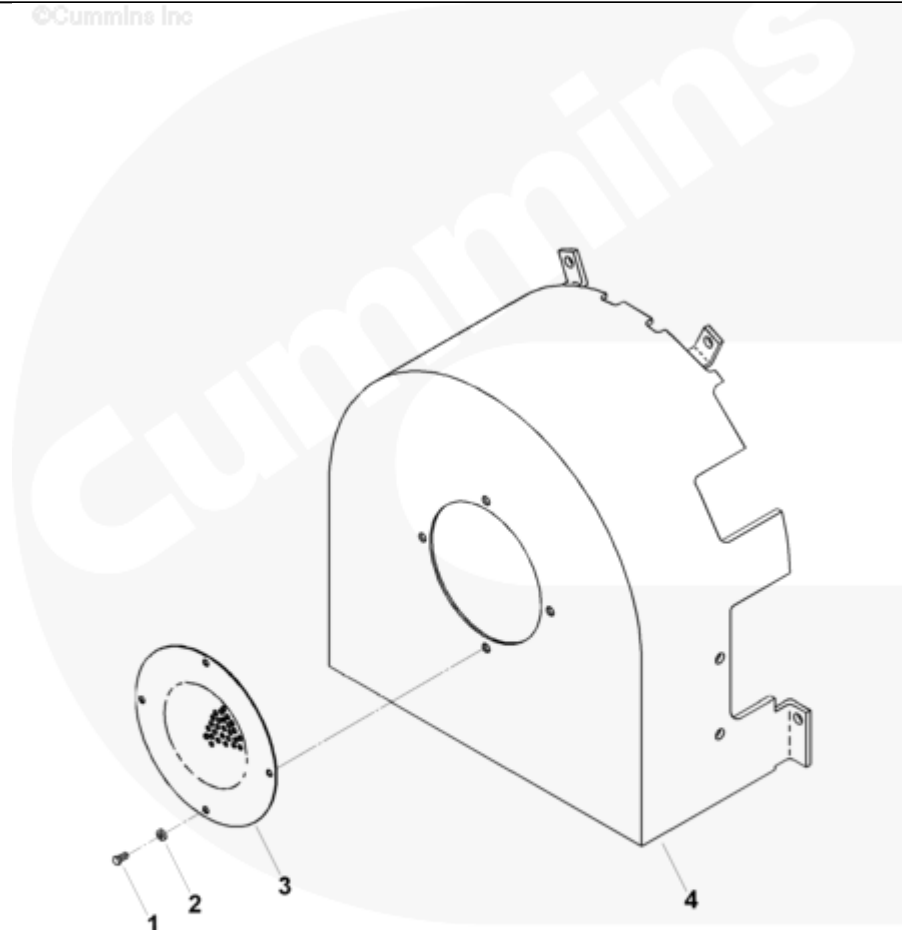




Parts Catalog - Option Detail

Electronic Parts Catalog - Option Detail				
Option	Group	Graphic	Film Card	Date
SG6710-01	01.02.2	sg600gz	K38	11-NOV-02
Engines	GTA38, K38, KTA38GC CM558, QSK38 CM2150 K106, QSK38 CM2150 MCRS, QSK38 CM850 MCRS			

©Cummins Inc



sg600gz

[SMALL](#) | [MEDIUM](#) | [LARGE](#)

Cart	Ref No	Part Number	Part Description	Required	Remarks
View My Cart					
		SG6710-01	Damper Guard		Guard, damper...(More)

					damper guard single viscous
					crank damper.
<input type="checkbox"/>	1	S 188	Hexagon Head Cap Screw	4	3/8 - 24 X 2 1/2 in.
<input type="checkbox"/>	2	S 600	Lock Washer	4	1/4 in.
<input type="checkbox"/>	3	3001954	Damper Guard	1	
<input type="checkbox"/>	4	3393235	Damper Guard	1	

© 2019 Cummins Inc., Box 3005, Columbus, IN 47202-3005 U.S.A.
Terms of Use and Disclaimers | Recommended System Requirements
Need Assistance? Please click on the Contact Us button in the top right corner of any page.